

INGY-HBWDSW12V DANLERS

Highbay Surface Mount Passive Infra Red (PIR) Occupancy Detector & Photocell for DALI ballasts

Input: 12VDC



PLEASE READ THESE INSTRUCTIONS BEFORE INSTALLING THE PRODUCT
NOTE: INGY-HBWDSW12V is only compatible to work with INGY enabled equipment.

This INGY-HBWDSW12V Surface Mount Lighting Control can be mounted directly onto solid ceilings or onto a range of different mounting boxes. Configurable for any room occupancy style, via the INGY APP on Google Play or Apple APP Store.

INSTALLATION

To be installed by a competent person with reference to local standards. If in doubt consult a qualified electrician.

- Plan where the INGY-HBWDSW12V is to be located (see diagram 1). Switch off supply and check for hidden cables and pipes.
- The INGY-HBWD SW12V should be connected as shown in diagrams 2 and 3:
12V 12V in.
0V 0V in.
SV - Switched control line
- Knockout or drill the appropriate holes on the mounting plate for attaching the plate to the ceiling or back box (if applicable). Feed cables through the appropriate (side or rear) entry hole. Screw the back mounting plate to the ceiling or back box via the mounting holes. Wire the cables into the sensor head block terminal. Push the sensor head onto the mounting plate and align the side clips with the slots on the sensor heads.

OPERATION

To check the operation of the INGY-HBWD DALI12V:

- Turn on the supply then after 20 seconds if the sensor has recognised movement of a person within its zone of detection the integral red LED on INGY-HBWDSW12V will stay illuminated for 4 seconds before the red LED turns off.
- Thereafter, every time movement is detected by INGY-HBWDSW12V the integral red LED will stay illuminated for 4 seconds.

The control also features adjustable time out (time lag) control and daylight threshold control which are configured by the INGY APP.

PRECAUTIONS

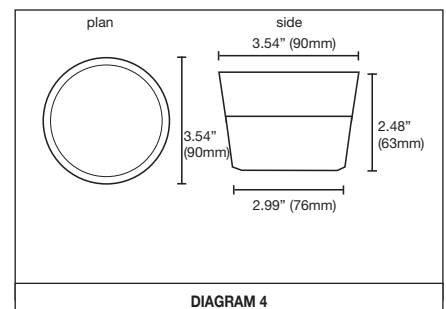
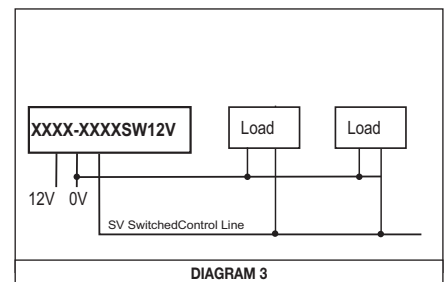
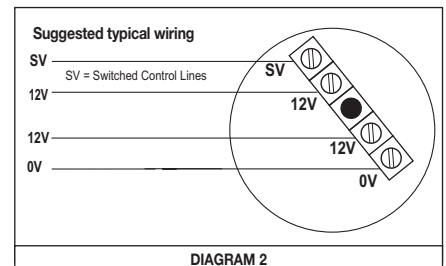
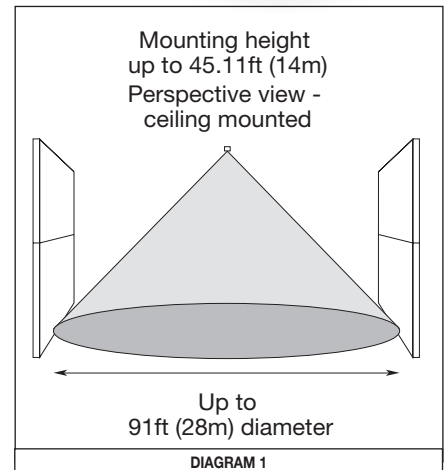
- Do not place the INGY-HBWDSW12V near heat sources, fans or in ventilated ceiling voids.
- Do not place close to, or positioned such that, any light source points directly into the INGY-HBWDSW12V
- Ensure wires and cables are securely held within the connection terminals.
- The INGY-HBWDSW12V should be protected by a suitable Ampere mcb or fuse.
- Dry-contact, outputs are to be supplied by the same SELV/Class 2 output as the input supply to the control.
- Disconnect the INGY-HBWDDA12VIP from the circuit before performing insulation testing of the wiring circuit.**

TECHNICAL DETAILS

INPUT	
Voltage:	11.5-13VDC
Frequency:	N/A
Max. current:	58mA
Standby current:	38mA
OUTPUT	
Output:	12VDC 6A max. Resistive
Output max inrush	120A 20ms
RADIO TRANSCIVER	
Operating frequencies:	2.4... 2,483 GHz
Max. output power:	+4 dBm
LUX PARAMETERS	
Range:	5 - 2000 lux
OPERATING CONDITIONS	
Note: The temperature difference between the detection target and the background must be at least 7.2 °F.	
Ambient temperature:	-4... +104 °F
Storage temperature:	-13... +167 °F
Max. relative humidity:	0... 80%, non cond.
CONNECTORS	
Terminal block Wire size:	14-22AWG solid or stranded
Wire strip length:	0.23-0.28"
Tightening torque:	3.5lb in
MECHANICAL DATA	
Dimensions:	2.48" x 3.58" x 3.58"
Weight:	3.7oz (unpacked)
Degree of protection:	IP20
Protection class:	Built-in Class 2
Material (casing)	Flame-retardant polycarbonate
Finish / Colour	Matt /White (RAL 9003)
Protection class:	Built-in Class 2
CONFORMITY AND STANDARDS	
EMC emission: EN 301 489-1 V2.2.0, EN 301 489-17 V3.1.1, EN 55032: 2015, EN61000-3-2: 2014, EN61000-3-3: 2013	
EMC immunity: EN 301 489-1 V2.2.0, EN 301 489-17 V3.1.1	
UL Approvals: UL60730-1/CSA E60730-1, Automatic Electrical Controls Part 1: General Requirements, Edition 5	
Environment: Complies with WEEE and RoHS directives	

5 YEAR WARRANTY

INGY-HBWDSW12V comes with a 5 year warranty from the date of manufacture and is CE marked.



DANLERS Limited, Vincients Road, CHIPPENHAM, Wiltshire, SN14 6NQ, UK. Telephone: +44 (0)1249 443377 Fax: +44 (0)1249 443388 E-mail: sales@danlers.co.uk www.danlers.co.uk

info@danlersamerica.com
USA HQ Address:
4815 Cedar Hills Dr.
Slinger WI 53086 Phone: (800) 206-0038
www.danlersamerica.com



Company Registered Number 2570169 VAT Registration Number 543 5491 38